

Approval body for construction products
and types of construction

Bautechnisches Prüfamt

An institution established by the Federal and
Laender Governments



European Technical Assessment

ETA-10/0352
of 6 July 2015

English translation prepared by DIBt - Original version in German language

General Part

Technical Assessment Body issuing the
European Technical Assessment:

Deutsches Institut für Bautechnik

Trade name of the construction product

Injection System fischer FIS VL

Product family
to which the construction product belongs

Bonded anchor for use in concrete

Manufacturer

fischerwerke GmbH & Co. KG
Klaus-Fischer-Straße 1
72178 Waldachtal
DEUTSCHLAND

Manufacturing plant

fischerwerke

This European Technical Assessment
contains

20 pages including 3 annexes which form an integral part
of this assessment

This European Technical Assessment is
issued in accordance with Regulation (EU)
No 305/2011, on the basis of

Guideline for European technical approval of "Metal
anchors for use in concrete", ETAG 001 Part 5: "Bonded
anchors", April 2013,
used as European Assessment Document (EAD)
according to Article 66 Paragraph 3 of Regulation (EU)
No 305/2011.

European Technical Assessment

ETA-10/0352

English translation prepared by DIBt

Page 2 of 20 | 6 July 2015

The European Technical Assessment is issued by the Technical Assessment Body in its official language. Translations of this European Technical Assessment in other languages shall fully correspond to the original issued document and shall be identified as such.

Communication of this European Technical Assessment, including transmission by electronic means, shall be in full. However, partial reproduction may only be made with the written consent of the issuing Technical Assessment Body. Any partial reproduction shall be identified as such.

This European Technical Assessment may be withdrawn by the issuing Technical Assessment Body, in particular pursuant to information by the Commission in accordance with Article 25(3) of Regulation (EU) No 305/2011.

Specific Part

1 Technical description of the product

The Fischer injection system FIS VL is a bonded anchor consisting of a cartridge with injection mortar Fischer FIS VL and a steel element. The steel element consists of

- a Fischer threaded rod FIS A or RGM of sizes M6 to M30 or
- an internal threaded anchor RGM I of sizes M8 to M20 or

The steel element is placed into a drilled hole filled with injection mortar and is anchored via the bond between metal part, injection mortar and concrete.

The product description is given in Annex A.

2 Specification of the intended use in accordance with the applicable European Assessment Document

The performances given in Section 3 are only valid if the anchor is used in compliance with the specifications and conditions given in Annex B.

The verifications and assessment methods on which this European Technical Assessment is based lead to the assumption of a working life of the anchor of at least 50 years. The indications given on the working life cannot be interpreted as a guarantee given by the producer, but are to be regarded only as a means for choosing the right products in relation to the expected economically reasonable working life of the works.

3 Performance of the product and references to the methods used for its assessment

3.1 Mechanical resistance and stability (BWR 1)

Essential characteristic	Performance
Characteristic resistance for design according to TR 029	See Annex C 1 to C 3
Characteristic resistance for design according to CEN/TS 1992-4:2009	See Annex C 4 to C 6
Displacements under tension and shear loads	See Annex C 7

3.2 Safety in case of fire (BWR 2)

Essential characteristic	Performance
Reaction to fire	Anchorage satisfies requirements for Class A1
Resistance to fire	No performance assessed

3.3 Hygiene, health and the environment (BWR 3)

Regarding dangerous substances there may be requirements (e.g. transposed European legislation and national laws, regulations and administrative provisions) applicable to the products falling within the scope of this European Technical Assessment. In order to meet the provisions of Regulation (EU) No 305/2011, these requirements need also to be complied with, when and where they apply.

3.4 Safety in use (BWR 4)

The essential characteristics regarding Safety in use are included under the Basic Works Requirement Mechanical resistance and stability.

English translation prepared by DIBt

3.5 Protection against noise (BWR 5)

Not applicable.

3.6 Energy economy and heat retention (BWR 6)

Not applicable.

3.7 Sustainable use of natural resources (BWR 7)

The sustainable use of natural resources was not investigated.

3.8 General aspects

The verification of durability is part of testing the essential characteristics. Durability is only ensured if the specifications of intended use according to Annex B are taken into account.

4 Assessment and verification of constancy of performance (AVCP) system applied, with reference to its legal base

According to Decision of the Commission of 24 June 1996 (96/582/EC) (OJ L 254 of 08.10.96 p. 62-65), the system of assessment and verification of constancy of performance (see Annex V and Article 65 Paragraph 2 to Regulation (EU) No 305/2011) given in the following table applies.

Product	Intended use	Level or class	System
Metal anchors for use in concrete (heavy-duty type)	For fixing and/or supporting concrete structural elements or heavy units such as cladding and suspended ceilings	—	1

5 Technical details necessary for the implementation of the AVCP system, as provided for in the applicable European Assessment Document

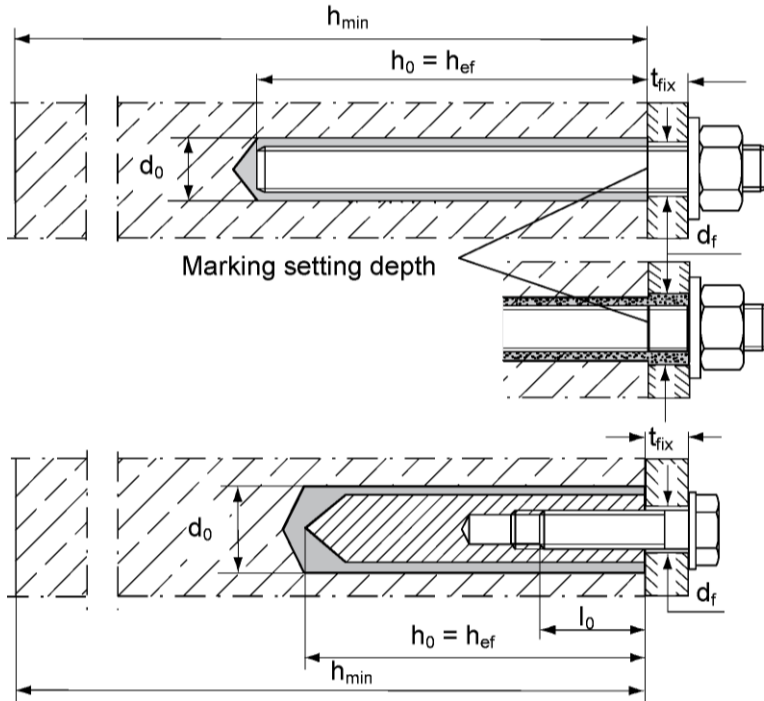
Technical details necessary for the implementation of the AVCP system are laid down in the control plan deposited at Deutsches Institut für Bautechnik.

Issued in Berlin on 6 July 2015 by Deutsches Institut für Bautechnik

Uwe Bender
Head of Department

beglaubigt:
Baderschneider

Installation condition



fischer threaded rod
pre-positioned anchorage

fischer threaded rod
push through anchorage
(annular gap filled with mortar)

**fischer internal threaded
anchor RG MI**
only pre-positioned anchorage

fischer injection system FIS VL

Product description
Installation condition

Annex A 1

<p>Extension tube</p> <p>Static mixer FIS MR or FIS ME (Easy Mix)</p>	<p>Shuttle cartridge (Sizes: 345 ml; 360 ml; 390 ml; 950 ml; 1100ml; 1500 ml)</p>
<p>Sealing cap</p>	<p>Imprint: fischer FIS VL or FIS VL High Speed or FIS VL Low Speed, processing notes, shelf-life, piston travel scale, curing times and processing times (depending on temperature), hazard codes, size, volume</p>
<p>Sealing cap</p>	<p>Coaxial cartridge (Sizes: 100 ml; 150 ml; 300 ml; 380 ml; 400ml; 410 ml)</p> <p>Imprint: fischer FIS VL or FIS VL High Speed or FIS VL Low Speed, processing notes, shelf-life, piston travel scale, curing times and processing times (depending on temperature), hazard codes, size, volume</p>
<p>Threaded rod Sizes: M6, M8, M10, M12, M16, M20, M24, M27, M30</p>	<p>Washer Hexagon nut</p>
<p>fischer internal threaded anchor RG MI Sizes: M8, M10, M12, M16, M20</p>	<p>Screw</p> <p>Threaded rod Washer Hexagon nut</p>
<p>fischer injection system FIS VL</p>	
<p>Product description Cartridges / Static mixer / Steel elements</p>	<p>Annex A 2</p>

Table A1: Materials

Part	Designation	Material		
1	Mortar cartridge	Mortar, hardener; filler		
		Steel, zinc plated	Stainless steel A4	High corrosion-resistant steel C
2	Threaded rod	Property class 5.8 or 8.8; EN ISO 898-1: 2013 zinc plated $\geq 5\mu\text{m}$, EN ISO 4042:1999 A2K or hot-dip galvanised EN ISO 10684:2004 $f_{uk} \leq 1000 \text{ N/mm}^2$ $A_5 > 8\%$ fracture elongation	Property class 50, 70 or 80 EN ISO 3506:2009 1.4401; 1.4404; 1.4578; 1.4571; 1.4439; 1.4362; 1.4062 EN 10088-1:2014 $f_{uk} \leq 1000 \text{ N/mm}^2$ $A_5 > 8\%$ fracture elongation	Property class 50 or 80 EN ISO 3506:2009 or property class 70 with $f_{yk} = 560 \text{ N/mm}^2$ 1.4565; 1.4529 EN 10088-1:2014 $f_{uk} \leq 1000 \text{ N/mm}^2$ $A_5 > 8\%$ fracture elongation
3	Washer ISO 7089:2000	zinc plated $\geq 5\mu\text{m}$, EN ISO 4042:1999 A2K or hot-dip galvanised EN ISO 10684:2004	1.4401; 1.4404; 1.4578; 1.4571; 1.4439; 1.4362 EN 10088-1:2014	1.4565; 1.4529 EN 10088-1:2014
4	Hexagon nut	Property class 5 or 8; EN ISO 898-2:2013 zinc plated $\geq 5\mu\text{m}$, ISO 4042:1999 A2K or hot-dip galvanised ISO 10684:2004	Property class 50, 70 or 80 EN ISO 3506:2009 1.4401; 1.4404; 1.4578; 1.4571; 1.4439; 1.4362 EN 10088-1:2014	Property class 50, 70 or 80 EN ISO 3506:2009 1.4565; 1.4529 EN 10088-1:2014
5	Internal threaded anchor RG MI	Property class 5.8; EN 10277-1:2008 zinc plated $\geq 5\mu\text{m}$, ISO 4042:1999 A2K	Property class 70 EN ISO 3506:2009 1.4401; 1.4404; 1.4578; 1.4571; 1.4439; 1.4362 EN 10088-1:2014	Property class 70 EN ISO 3506-1:2009 1.4565; 1.4529 EN 10088-1:2014
6	Screw or threaded rod for internal threaded anchor RGMI	Property class 5.8 or 8.8; EN ISO 898-1:2013 zinc plated $\geq 5\mu\text{m}$, ISO 4042:1999 A2K	Property class 70 EN ISO 3506:2009 1.4401; 1.4404; 1.4578; 1.4571; 1.4439; 1.4362 EN 10088-1:2014	Property class 70 EN ISO 3506-1:2009 1.4565; 1.4529 EN 10088-1:2014



fischer injection system FIS VL

Product description
Materials

Annex A 3

Specifications of intended use

Table B1: Overview use categories and performance categories

Anchorages subject to		FIS VL with ...			
		Threaded rod 		Internal threaded anchor RG MI 	
Hammer drilling		all sizes			
Static and quasi static load, in	un-cracked concrete	M6 to M30	Tables: C1, C3, C5, C7, C9, C10	M8 to M20	Tables: C2, C4, C6, C8, C11, C12
	cracked concrete	M10 to M20			
Use category	Dry or wet concrete	M6 to M30		M8 to M20	
	Flooded hole ¹⁾	M12 to M30		M8 to M20	
Installation temperature		-10°C to +40°C			
In-service temperature	Temperature range I	-40°C to +80°C		(max. long term temperature +50°C and max. short term temperature +80°C)	
	Temperature range II	-40°C to +120°C		(max. long term temperature +72°C and max. short term temperature +120°C)	

¹⁾ Only coaxial cartridges: 380 ml, 400 ml and 410 ml

Base materials:

- Reinforced or unreinforced normal weight concrete according to EN 206-1:2013
- Strength classes C20/25 to C50/60 according to EN 206-1:2013

Use conditions (Environmental conditions):

- Structures subject to dry internal conditions exists (zinc coated steel, stainless steel or high corrosion resistant steel)
- Structures subject to external atmospheric exposure (including industrial and marine environment) and to permanently damp internal condition, if no particular aggressive conditions exist (stainless steel or high corrosion resistant steel)
- Structures subject to external atmospheric exposure and to permanently damp internal condition, if other particular aggressive conditions exist (high corrosion resistant steel)
Note: Particular aggressive conditions are e.g. permanent, alternating immersion in seawater or the splash zone of seawater, chloride atmosphere of indoor swimming pools or atmosphere with extreme chemical pollution (e.g. in desulphurization plants or road tunnels where de-icing materials are used)

Design:

- Anchorages have to be designed under the responsibility of an engineer experienced in anchorages and concrete work
- Verifiable calculation notes and drawings are prepared taking account of the loads to be anchored. The position of the anchor is indicated on the design drawings (e.g. position of the anchor relative to reinforcement or to supports, etc.)
- Anchorages under static or quasi-static actions are designed in accordance with TR 029 "Design of bonded anchors", Edition September 2010 or CEN/TS 1992-4:2009

Installation:

- Anchor installation carried out by appropriately qualified personnel and under the supervision of the person responsible for technical matters of the site
- Overhead installation allowed

fischer injection system FIS VL

Intended Use Specifications

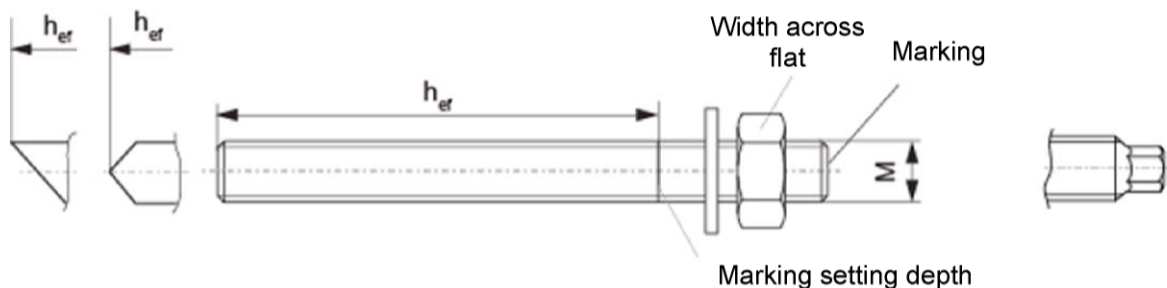
Annex B 1

Table B2: Installation parameters threaded rods

Size		M6	M8	M10	M12	M16	M20	M24	M27	M30
Width across flat	SW [mm]	10	13	17	19	24	30	36	41	46
Nominal drill bit diameter	d_0 [mm]	8	10	12	14	18	24	28	30	35
Drill hole depth	h_0 [mm]	$h_0 = h_{ef}$								
Effective anchorage depth	$h_{ef,min}$ [mm]	50	60	60	70	80	90	96	108	120
	$h_{ef,max}$ [mm]	72	160	200	240	320	400	480	540	600
Maximum torque moment	$T_{inst,max}$ [Nm]	5	10	20	40	60	120	150	200	300
Minimum spacing	s_{min} [mm]	40	40	45	55	65	85	105	125	140
Minimum edge distance	c_{min} [mm]	40	40	45	55	65	85	105	125	140
Diameter of clearance hole in the fixture ¹⁾	Pre-positioned anchorage d_f [mm]	7	9	12	14	18	22	26	30	33
	Push through anchorage d_f [mm]	9	11	14	16	20	26	30	32	40
Minimum thickness of concrete member	h_{min} [mm]	$h_{ef} + 30 (\geq 100)$				$h_{ef} + 2d_0$				

¹⁾ For larger clearance holes in the fixture see TR 029, 4.2.2.1 or CEN/TS 1992-4-1:2009, 5.2.3.1

fischer threaded rods FIS A and RGM



Marking:

- Property class 8.8 or high corrosion-resistant steel C, property class 80: •
- Stainless steel A4, property class 50 or high corrosion-resistant steel C, property class 50:••

Commercial standard threaded rods, washers and hexagon nuts may also be used if the following requirements are fulfilled:

- Materials, dimensions and mechanical properties according Annex A 3, Table A1
- Inspection certificate 3.1 according to EN 10204:2004, the documents should be stored
- Marking of embedment depth

fischer injection system FIS VL

Intended Use

Installation parameters threaded rods

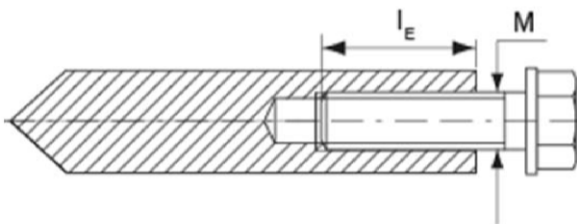
Annex B 2

Table B3: Installation parameters internal threaded anchors RG MI

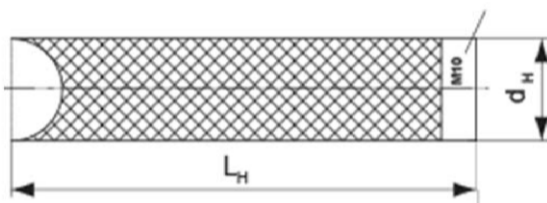
Size			M8	M10	M12	M16	M20
Diameter of anchor	d_H	[mm]	12	16	18	22	28
Nominal drill bit diameter	d_0	[mm]	14	18	20	24	32
Drill hole depth	h_0	[mm]	$h_0 = h_{ef}$				
Effective anchorage depth ($h_{ef} = L_H$)	h_{ef}	[mm]	90	90	125	160	200
Maximum torque moment	$T_{inst,max}$	[Nm]	10	20	40	80	120
Minimum spacing	s_{min}	[mm]	55	65	75	95	125
Minimum edge distance	c_{min}	[mm]	55	65	75	95	125
Diameter of clearance hole in the fixture ¹⁾	d_f	[mm]	9	12	14	18	22
Minimum thickness of concrete member	h_{min}	[mm]	120	125	165	210	265
Maximum screw-in depth	$l_{E,max}$	[mm]	18	23	26	35	45
Minimum screw-in depth	$l_{E,min}$	[mm]	8	10	12	16	20

¹⁾ For larger clearance holes in the fixture see TR 029, 4.2.2.1 or CEN/TS 1992-4-1:2009, 5.2.3.1

fischer internal threaded anchor RG MI



Marking



Marking: anchor size e.g.: M10
Stainless steel in addition A4 e.g.: M10 A4
High corrosion-resistant steel in addition C
e.g.: M10 C

Fastening screw or threaded rods including washer and nuts must comply with the appropriate material and strength class of table A1

fischer injection system FIS VL

Intended Use

Installation parameters internal threaded anchors RG MI

Annex B 3

Table B4: Parameters of steel brush FIS BS Ø

Drill bit diameter	[mm]	8	10	12	14	16	18	20	24	25	28	30	35
Steel brush diameter d_b	[mm]	9	11	14	16	20	20	25	26	27	30	40	40

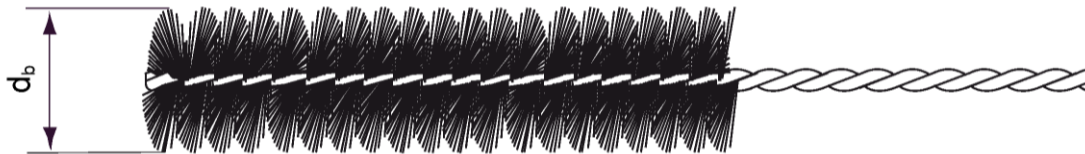


Table B5: Maximum processing time of the mortar and minimum curing time
(During the curing time of the mortar the concrete temperature may not fall below the listed minimum temperature).

Temperature at anchoring base [°C]			Minimum curing time ¹⁾ t_{cure} [minutes]			System temperature (mortar) [°C]	Maximum processing time t_{work} [minutes]		
			FIS VL High Speed	FIS VL	FIS VL Low Speed		FIS VL High Speed	FIS VL	FIS VL Low Speed
-10	to	-5	12 hours						
>-5	to	±0	3 hours	24 hours		±0	5		
>±0	to	+5	3 hours	3 hours	6 hours	+5	5	13	
>+5	to	+10	50	90	3 hours	+10	3	9	20
>+10	to	+20	30	60	2 hours	+20	1	5	10
>+20	to	+30		45	60	+30		4	6
>+30	to	+40		35	30	+40		2	4

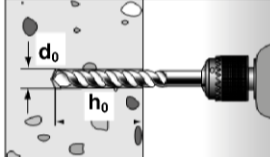
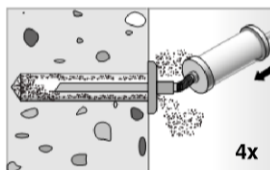
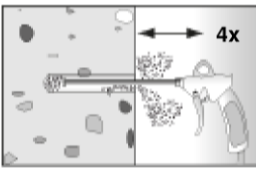
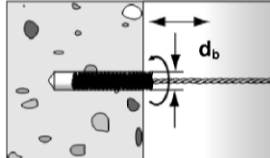
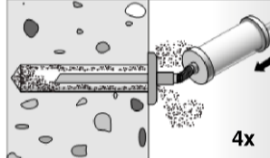
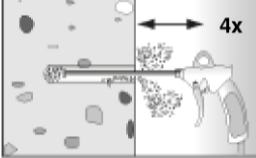
¹⁾ For wet concrete or flooded hole the curing time must be doubled.

fischer injection system FIS VL

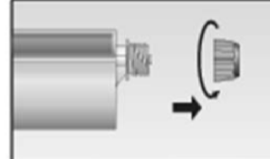
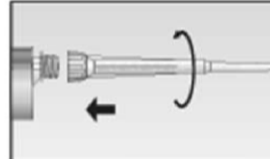


Intended Use
Cleaning tools / Processing - and curing times

Annex B 4

Installation instructions part 1
Drilling and cleaning the hole

1		<p>Drill the hole. Drill hole diameter d_0 and drill hole depth h_0 see Tables B2, B3.</p>
2		<p>$h_{ef} \leq 12d$ and $d_0 < 18$ mm: Blow out the drill hole four times by hand.</p>
		<p>$h_{ef} > 12d$ and/or $d_0 \geq 18$ mm: Blow out the drill hole four times, using oil-free compressed air ($p > 6$ bar).</p>
3		<p>Brush the drill hole four times using an adequate steel brush (see Table B4).</p>
4		<p>$h_{ef} \leq 12d$ and $d_0 < 18$ mm: Blow out the drill hole four times by hand.</p>
		<p>$h_{ef} > 12d$ and/or $d_0 \geq 18$ mm: Blow out the drill hole four times, using oil-free compressed air ($p > 6$ bar).</p>

Preparing the cartridge

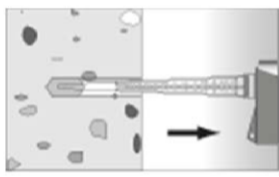
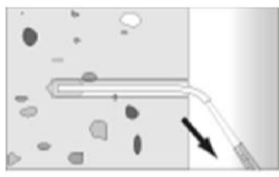
5		<p>Twist off the sealing cap.</p>
6		<p>Twist on the static mixer (the spiral in the static mixer must be clearly visible).</p>
7		<p>Place the cartridge into the suitable dispenser.</p>
8		<p>Press out approximately 10 cm of mortar until the resin is permanently grey in colour. mortar which is not grey in colour will not cure and must be disposed of.</p>

fischer injection system FIS VL

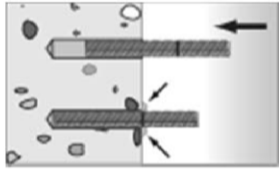
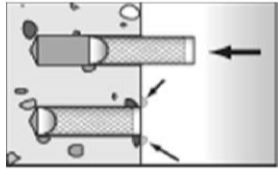
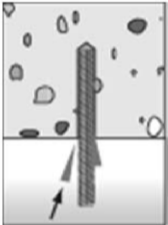
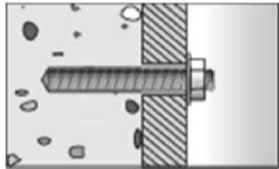

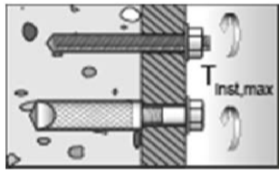
Intended Use
Installation instructions part 1

Annex B 5

Installation instructions part 2
Injection of the mortar

9		Fill approximately 2/3 of the drill hole with mortar. Always begin from the bottom of the hole to eliminate voids.		For drill hole depth ≥ 150 mm use an extension tube.
----------	---	--	--	---

Installation fischer threaded rods or internal threaded anchors RG MI

10			Only use clean and oil-free anchor elements. Press the anchor rod or internal threaded anchor RG MI down to the bottom of the hole, turning it slightly while doing so. After inserting the anchor element, excess mortar must emerge around the anchor element.	
		For overhead installation support the anchor element with wedges.		For push-through installation fill the annular gap also with mortar.
11		Wait for the specified curing time t_{cure} see Table B5.		
12		Mounting the fixture $T_{\text{inst,max}}$ see Tables B2 or B3		

fischer injection system FIS VL

Intended Use
Installation instructions part 2

Annex B 6

Table C1: Characteristic values of resistance for threaded rods under tension loads in un-cracked and cracked concrete (Design according to TR 029)

Size			M6	M8	M10	M12	M16	M20	M24	M27	M30	
Installation safety factor	Dry and wet concrete	γ_2	[-]									1,2
	Flooded hole		--			1,4 ¹⁾						
Combined pullout and concrete cone failure												
Diameter of calculation		d	[mm]	6	8	10	12	16	20	24	27	30
Characteristic bond resistance in un-cracked concrete C20/25. Dry and wet concrete												
Temperature range I ²⁾		$\tau_{Rk,ucr}$	[N/mm ²]	9,0	11,0	11,0	11,0	10,0	9,5	9,0	8,5	8,5
Temperature range II ²⁾		$\tau_{Rk,ucr}$	[N/mm ²]	6,5	9,5	9,5	9,0	8,5	8,0	7,5	7,0	7,0
Characteristic bond resistance in un-cracked concrete C20/25. Flooded hole¹⁾												
Temperature range I ²⁾		$\tau_{Rk,ucr}$	[N/mm ²]	--	--	--	9,5	8,5	8,0	7,5	7,0	7,0
Temperature range II ²⁾		$\tau_{Rk,ucr}$	[N/mm ²]	--	--	--	7,5	7,0	6,5	6,0	6,0	6,0
Characteristic bond resistance in cracked concrete C20/25. Dry and wet concrete												
Temperature range I ²⁾		$\tau_{Rk,cr}$	[N/mm ²]	--	--	6,0	6,0	6,0	5,5	--	--	--
Temperature range II ²⁾		$\tau_{Rk,cr}$	[N/mm ²]	--	--	5,0	5,0	5,0	5,0	--	--	--
Characteristic bond resistance in cracked concrete C20/25. Flooded hole¹⁾												
Temperature range I ²⁾		$\tau_{Rk,cr}$	[N/mm ²]	--	--	--	5,0	5,0	4,5	--	--	--
Temperature range II ²⁾		$\tau_{Rk,cr}$	[N/mm ²]	--	--	--	4,0	4,0	3,5	--	--	--
Increasing factor ψ_c	C25/30	[-]							1,05			
	C30/37	[-]							1,10			
	C35/45	[-]							1,15			
	C40/50	[-]							1,19			
	C45/55	[-]							1,22			
	C50/60	[-]							1,26			
Splitting failure												
Edge distance $c_{cr,sp}$	$h/h_{ef} \geq 2,0$	[mm]							1,0 h_{ef}			
	$2,0 > h/h_{ef} > 1,3$	[mm]							4,6 $h_{ef} - 1,8 h$			
	$h/h_{ef} \leq 1,3$	[mm]							2,26 h_{ef}			
Spacing	$s_{cr,sp}$	[mm]							2 $c_{cr,sp}$			

¹⁾ Only coaxial cartridges: 380 ml, 400 ml and 410 ml

²⁾ See Annex B1

fischer injection system FIS VL

Performances

Characteristic values of resistance for threaded rods under tension loads in un-cracked and cracked concrete (Design according to TR 029)

Annex C 1

Table C2: Characteristic values of resistance for internal threaded anchors RG MI under tension loads in un-cracked concrete (Design according to TR 029)

Size				M8	M10	M12	M16	M20
Installation safety factor	Dry and wet concrete	γ_2	[-]	1,2				
	Flooded hole		[-]	1,4 ¹⁾				
Steel failure								
Characteristic resistance with screw $N_{Rk,s}$	Property class	5.8	[kN]	19	29	43	79	123
	Property class	8.8	[kN]	29	47	68	108	179
	Property class 70	A4	[kN]	26	41	59	110	172
	Property class 70	C	[kN]	26	41	59	110	172
Combined pullout and concrete cone failure								
Diameter of calculation	d_H	[mm]		12	16	18	22	28
Characteristic bond resistance in un-cracked concrete C20/25. Dry and wet concrete								
Temperature range I ²⁾	$N_{Rk,p}^0$	[kN]		30	40	50	75	115
Temperature range II ²⁾	$N_{Rk,p}^0$	[kN]		25	30	40	60	95
Characteristic bond resistance in un-cracked concrete C20/25. Flooded hole¹⁾								
Temperature range I ²⁾	$N_{Rk,p}^0$	[kN]		25	35	50	60	95
Temperature range II ²⁾	$N_{Rk,p}^0$	[kN]		20	25	35	50	75
Increasing factor Ψ_c	C25/30	[-]		1,05				
	C30/37	[-]		1,10				
	C35/45	[-]		1,15				
	C40/50	[-]		1,19				
	C45/55	[-]		1,22				
	C50/60	[-]		1,26				
Splitting failure								
Edge distance $c_{cr,sp}$	$h/h_{ef} \geq 2,0$	[mm]		$1,0 h_{ef}$				
	$2,0 > h/h_{ef} > 1,3$	[mm]		$4,6 h_{ef} - 1,8 h$				
	$h/h_{ef} \leq 1,3$	[mm]		$2,26 h_{ef}$				
Spacing	$s_{cr,sp}$	[mm]		$2 c_{cr,sp}$				

¹⁾ Only coaxial cartridges: 380 ml, 400 ml and 410 ml

²⁾ See Annex B1

Table C3: Characteristic values of resistance for threaded rods under shear loads (Design according to TR 029)

Size				M6	M8	M10	M12	M16	M20	M24	M27	M30
Concrete pryout failure												
Factor k in equation (5.7) of TR 029 for the design of bonded anchors	k	[-]		2,0								

fischer injection system FIS VL

Performances

Characteristic values of resistance for internal threaded rods under tension loads in un-cracked concrete and for threaded rods under shear loads (Design according to TR 029)

Annex C 2

**Table C4: Characteristic values of resistance for internal threaded rods RG MI under shear loads
(Design according to TR 029)**

Size				M8	M10	M12	M16	M20
Installation safety factor		γ_2	[-]	1,2				
Steel failure without lever arm								
Characteristic resistance $V_{Rk,s}$	Property class	5.8	[kN]	9,2	14,5	21,1	39,2	62,0
		8.8	[kN]	14,6	23,2	33,7	62,7	90,0
	Property class 70	A4	[kN]	12,8	20,3	29,5	54,8	86,0
		C	[kN]	12,8	20,3	29,5	54,8	86,0
Steel failure with lever arm								
Characteristic resistance $M_{Rk,s}^0$	Property class	5.8	[Nm]	20	39	68	173	337
		8.8	[Nm]	30	60	105	266	519
	Property class 70	A4	[Nm]	26	52	92	232	454
		C	[Nm]	26	52	92	232	454
Concrete pryout failure								
Factor k in equation (5.7) of TR 029 for the design of bonded anchors		k	[-]	2,0				

fischer injection system FIS VL

Performances

Characteristic values of resistance for internal threaded anchors RG MI under shear loads
(Design according to TR 029)

Annex C 3

Table C5: Characteristic values of resistance for threaded rods under tension loads in un-cracked and cracked concrete (Design according to CEN/TS 1992-4)

Size			M6	M8	M10	M12	M16	M20	M24	M27	M30
Installation safety factor γ_{inst}	Dry and wet concrete	[-]	1,2								
	Flooded hole	[-]	--			1,4 ¹⁾					
Steel failure											
Characteristic resistance	$N_{Rk,s}$	[kN]	$A_s \times f_{uk}$								
Combined pullout and concrete cone failure											
Diameter of calculation	d	[mm]	6	8	10	12	16	20	24	27	30
Characteristic bond resistance in un-cracked concrete C20/25. Dry and wet concrete											
Temperature range I ²⁾	$\tau_{Rk,ucr}$	[N/mm ²]	9,0	11,0	11,0	11,0	10,0	9,5	9,0	8,5	8,5
Temperature range II ²⁾	$\tau_{Rk,ucr}$	[N/mm ²]	6,5	9,5	9,5	9,0	8,5	8,0	7,5	7,0	7,0
Characteristic bond resistance in un-cracked concrete C20/25. Flooded hole¹⁾											
Temperature range I ²⁾	$\tau_{Rk,ucr}$	[N/mm ²]	--	--	--	9,5	8,5	8,0	7,5	7,0	7,0
Temperature range II ²⁾	$\tau_{Rk,ucr}$	[N/mm ²]	--	--	--	7,5	7,0	6,5	6,0	6,0	6,0
Characteristic bond resistance in cracked concrete C20/25. Dry and wet concrete											
Temperature range I ²⁾	$\tau_{Rk,cr}$	[N/mm ²]	--	--	6,0	6,0	6,0	5,5	--	--	--
Temperature range II ²⁾	$\tau_{Rk,cr}$	[N/mm ²]	--	--	5,0	5,0	5,0	5,0	--	--	--
Characteristic bond resistance in cracked concrete C20/25. Flooded hole¹⁾											
Temperature range I ²⁾	$\tau_{Rk,cr}$	[N/mm ²]	--	--	--	5,0	5,0	4,5	--	--	--
Temperature range II ²⁾	$\tau_{Rk,cr}$	[N/mm ²]	--	--	--	4,0	4,0	4,0	--	--	--
Increasing factor Ψ_c	C25/30	[-]	1,05								
	C30/37	[-]	1,10								
	C35/45	[-]	1,15								
	C40/50	[-]	1,19								
	C45/55	[-]	1,22								
	C50/60	[-]	1,26								
Factor acc. CEN/TS 1992-4:2009 Section 6.2.2.3	k_8	cracked concrete	[-]	7,2							
	k_8	un-cracked concrete	[-]	10,1							
Concrete cone failure											
Factor acc. CEN/TS 1992-4:2009 Section 6.2.3.1	k_{cr}	cracked concrete	[-]	7,2							
	k_{ucr}	un-cracked concrete	[-]	10,1							
Edge distance $c_{cr,sp}$	$h/h_{ef} \geq 2,0$	[mm]	1,0 h_{ef}								
	$2,0 > h/h_{ef} > 1,3$	[mm]	4,6 $h_{ef} - 1,8 h$								
	$h/h_{ef} \leq 1,3$	[mm]	2,26 h_{ef}								
Spacing	$s_{cr,sp}$	[mm]	2 $c_{cr,sp}$								

¹⁾ Only coaxial cartridges: 380 ml, 400 ml and 410 ml

²⁾ See Annex B1

fischer injection system FIS VL

Performances

Characteristic values of resistance for threaded rods under tension loads in un-cracked and cracked concrete (Design according to CEN/TS-1992-4)

Annex C 4

Table C6: Characteristic values of resistance for internal threaded anchors RG MI under tension loads in un-cracked concrete (Design according to CEN/TS 1992-4)

Size			M8	M10	M12	M16	M20	
Installation safety factor γ_{inst}	Dry and wet concrete	[-]	1,2					
	Flooded hole	[-]	1,4 ¹⁾					
Steel failure								
Characteristic resistance with screw $N_{Rk,s}$	Property class	5.8	[kN]	19	29	43	79	123
		8.8	[kN]	29	47	68	108	179
	Property class 70	A4	[kN]	26	41	59	110	172
		C	[kN]	26	41	59	110	172
Partial safety factor $\gamma_{Ms,N}$ ³⁾	Property class	5.8	[-]	1,50				
		8.8	[-]	1,50				
	Property class 70	A4	[-]	1,87				
		C	[-]	1,87				
Combined pullout and concrete cone failure								
Diameter of calculation	d	[mm]	12	16	18	22	28	
Characteristic bond resistance in un-cracked concrete C20/25								
Dry and wet concrete								
Temperature range I ²⁾	$N_{Rk,p}^0$	[kN]	30	40	50	75	115	
Temperature range II ²⁾	$N_{Rk,p}^0$	[kN]	25	30	40	60	95	
Characteristic bond resistance in un-cracked concrete C20/25								
Flooded hole¹⁾								
Temperature range I ²⁾	$N_{Rk,p}^0$	[kN]	25	35	50	60	95	
Temperature range II ²⁾	$N_{Rk,p}^0$	[kN]	20	25	35	50	75	
Increasing factor Ψ_c	C25/30	[-]	1,05					
	C30/37	[-]	1,10					
	C35/45	[-]	1,15					
	C40/50	[-]	1,19					
	C45/55	[-]	1,22					
	C50/60	[-]	1,26					
Factor acc. CEN/TS 1992-4-5:2009 Section 6.2.2.3	k_8	[-]	10,1					
Concrete cone failure								
Factor acc. CEN/TS 1992-4-5:2009 Section 6.2.3.1	k_{ucr}	[-]	10,1					
Edge distance $c_{cr,sp}$	$h/h_{ef} \geq 2,0$	[mm]	$1,0 h_{ef}$					
	$2,0 > h/h_{ef} > 1,3$	[mm]	$4,6 h_{ef} - 1,8 h$					
	$h/h_{ef} \leq 1,3$	[mm]	$2,26 h_{ef}$					
Spacing	$s_{cr,sp}$	[mm]	$2 c_{cr,sp}$					

¹⁾ Only coaxial cartridges: 380 ml, 400 ml and 410 ml

²⁾ See Annex B1

³⁾ In absence of other national regulations

fischer injection system FIS VL

Performances

Characteristic values of resistance for internal threaded anchors RG MI under tension loads in un-cracked concrete (Design according to CEN/TS 1992-4)

Annex C 5

Table C7: Characteristic values of resistance for threaded rods under shear loads (Design according to CEN/TS 1992-4)

Size			M6	M8	M10	M12	M16	M20	M24	M27	M30
Installation safety factor	γ_{inst}	[-]	1,2								
Steel failure without lever arm											
Characteristic resistance	$V_{Rk,s}$	[kN]	0,5 $A_s \times f_{uk}$								
Ductility factor acc. to CEN/TS 1992-4-5:2009 Section 6.3.2.1	k_2	[-]	0,8								
Steel failure with lever arm											
Characteristic resistance	$M^0_{Rk,s}$	[Nm]	1,2 $\times W_{el} \times f_{uk}$								
Concrete pryout failure											
Factor in equation of CEN/TS 1992-4-5:2009 Section 6.3.3	k_3	[-]	2,0								
Concrete edge failure											
Effective length of anchor	l_f	[mm]	$l_f = \min(h_{ef}, 8 d_{nom})$								
Outside diameter of anchor	d_{nom}	[mm]	6	8	10	12	16	20	24	27	30

Table C8: Characteristic values of resistance for internal threaded rods RG MI under shear loads in un-cracked concrete (Design according to CEN/TS 1992-4)

Size			M8	M10	M12	M16	M20	
Installation safety factor	γ_{inst}	[-]	1,2					
Steel failure without lever arm								
Characteristic resistance $V_{Rk,s}$	Property class	5.8	[kN]	9,2	14,5	21,1	39,2	62,0
		8.8	[kN]	14,6	23,2	33,7	62,7	90,0
	Property class 70	A4	[kN]	12,8	20,3	29,5	54,8	86,0
		C	[kN]	12,8	20,3	29,5	54,8	86,0
Ductility factor acc. to CEN/TS 1992-4-5:2009 Section 6.3.2.1	k_2	[-]	0,8					
Steel failure with lever arm								
Characteristic resistance $M^0_{Rk,s}$	Property class	5.8	[Nm]	20	39	68	173	337
		8.8	[Nm]	30	60	105	266	519
	Property class 70	A4	[Nm]	26	52	92	232	454
		C	[Nm]	26	52	92	232	454
Concrete pryout failure								
Factor in equation of CEN/TS 1992-4-5:2009 Section 6.3.3	k_3	[-]	2,0					
Concrete edge failure								
Outside diameter of anchor	d_{nom}	[mm]	12	16	18	22	28	

fischer injection system FIS VL

Performances

Characteristic values of resistance for threaded rods and internal threaded anchors RG MI under shear loads (Design according to CEN/TS 1992-4)

Annex C 6

Table C9: Displacements under tension load ¹⁾ for threaded rods

Size		M6	M8	M10	M12	M16	M20	M24	M27	M30
un-cracked concrete										
δ_{N0} -Factor	[mm/N/mm ²]	0,09	0,09	0,09	0,10	0,10	0,10	0,10	0,11	0,12
$\delta_{N\infty}$ -Factor	[mm/N/mm ²]	0,10	0,10	0,10	0,12	0,12	0,12	0,13	0,13	0,14
Cracked concrete										
δ_{N0} -Factor	[mm/N/mm ²]	--	--	0,12	0,12	0,13	0,13	--	--	--
$\delta_{N\infty}$ -Factor	[mm/N/mm ²]	--	--	0,27	0,30	0,30	0,30	--	--	--

¹⁾ Calculation of the displacement

$$\delta_{N0} = \delta_{N0}\text{-Factor} \cdot \tau$$

$$\delta_{N\infty} = \delta_{N\infty}\text{-Factor} \cdot \tau$$

Table C10: Displacements under shear load ¹⁾ for threaded rods

Size		M6	M8	M10	M12	M16	M20	M24	M27	M30
δ_{V0} -Factor	[mm/kN]	0,11	0,11	0,11	0,10	0,10	0,09	0,09	0,08	0,07
$\delta_{V\infty}$ -Factor	[mm/kN]	0,12	0,12	0,12	0,11	0,11	0,10	0,10	0,09	0,09

¹⁾ Calculation of the displacement

$$\delta_{N0} = \delta_{N0}\text{-Factor} \cdot V$$

$$\delta_{N\infty} = \delta_{N\infty}\text{-Factor} \cdot V$$

Table C11: Displacements under tension load ¹⁾ for internal threaded anchors RG MI

Size		M8	M10	M12	M16	M20
δ_{N0} -Factor	[mm/N/mm ²]	0,1	0,11	0,12	0,13	0,14
$\delta_{N\infty}$ -Factor	[mm/N/mm ²]	0,13	0,14	0,15	0,16	0,18

¹⁾ Calculation of the displacement

$$\delta_{N0} = \delta_{N0}\text{-Factor} \cdot \tau$$

$$\delta_{N\infty} = \delta_{N\infty}\text{-Factor} \cdot \tau$$

Table C12: Displacements under shear load ¹⁾ for internal threaded anchors RG MI

Size		M8	M10	M12	M16	M20
δ_{V0} -Factor	[mm/kN]	0,12	0,12	0,12	0,12	0,12
$\delta_{V\infty}$ -Factor	[mm/kN]	0,14	0,14	0,14	0,14	0,14

¹⁾ Calculation of the displacement

$$\delta_{N0} = \delta_{N0}\text{-Factor} \cdot V$$

$$\delta_{N\infty} = \delta_{N\infty}\text{-Factor} \cdot V$$

fischer injection system FIS VL

Performances

Displacements threaded rods and internal threaded anchors RG MI

Annex C 7